

COMPACT BRIDGE TYPE CABLE LAYING ROLLER

⚠️ WARNING

Cancer and Reproductive Harm: www.P65Warnings.ca.gov

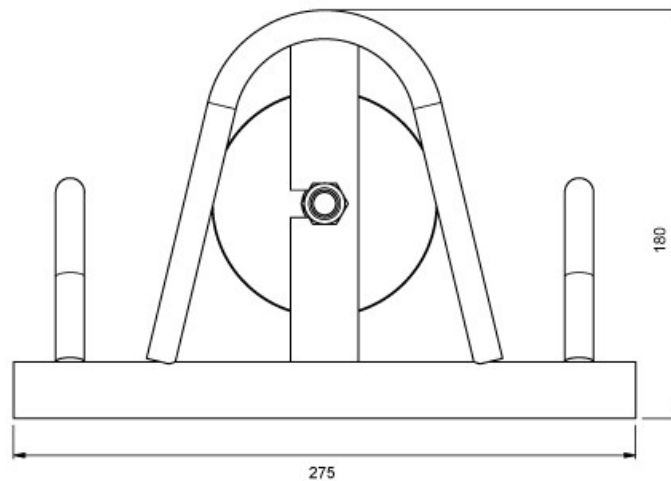
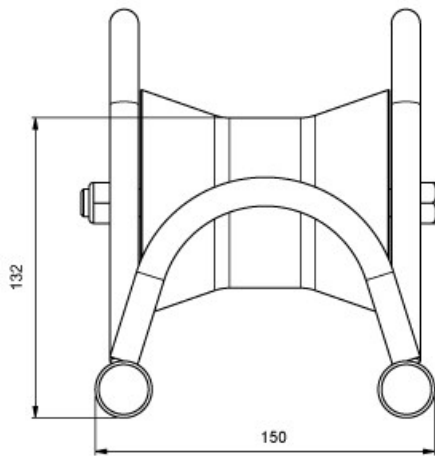


KEY FEATURES

- ✓ Heavy duty tubular frame straight line bridge roller
- ✓ Fitted with hoops to fit over previously laid cables
- ✓ 3in diameter aluminum roller
- ✓ Oil impregnated maintenance free bushes fitted
- ✓ Bright zinc plated finish
- ✓ 3.54in diameter cable capacity
- ✓ Weight 5.5 lb

This is a compact cable roller for use in narrow trenches and/or in confined areas.

* The specification can be adjusted, if required, to suit your individual requirements.



Slingco Part No.	Base Footprint (mm)	Height (mm)	Max Cable Diameter (mm)	Weight (kg)
ZGP8270	275 x 150	180	90	2.5



GET IN TOUCH

☎ 1 888 685 9478
✉ sales@slingcoamerica.com

COMPACT BRIDGE TYPE CABLE LAYING ROLLER

Slingco Part No.	Base Footprint (in)	Height (in)	Max Cable Diameter (in)	Weight (lb)
ZGP8270	10.83 x 5.9	7	3.54	5.5

This information is for marketing purposes only. The details contained herein is presented as general information and no representation or warranty is expressly or impliedly given as to its accuracy, completeness or correctness. It does not constitute part of a legal offer or contract. For technical specifications, please contact Slingco America, Inc.


Dimensions

The figures shown are indicative only. Fully dimensioned data-sheets are available on request. Nominal figures/actuals are as per data-sheet with tolerances of +/- 10%. Please contact us if you have any questions.

Range dimension overlaps If the cable, rope or hose you have lies where ranges overlap, e.g. 1" when sizing is 0.5-1.00 and 1.00-1.5 we recommend that you select your cable grip to achieve break load first. If tensile strengths are equal or both adequate, choose the smaller of the two. Please contact us if you have any questions.



GET IN TOUCH

 1 888 685 9478

 sales@slingcoamerica.com