

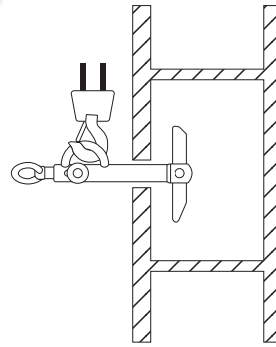
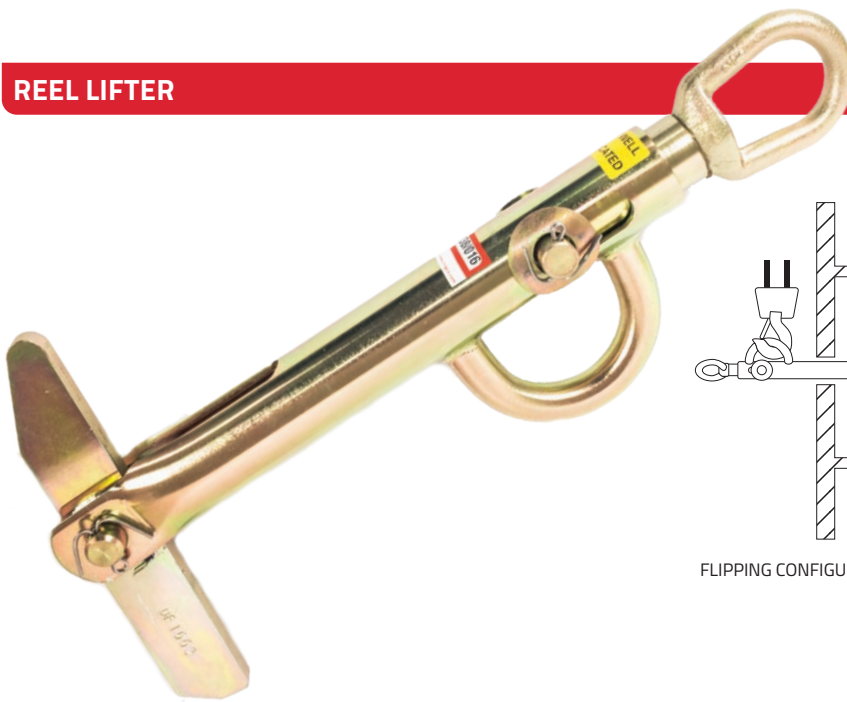


Reel Lifter

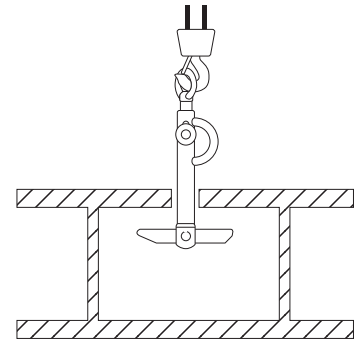
Move, flip and dispense large reels of cable and wire quickly and easily



REEL LIFTER



FLIPPING CONFIGURATION



LIFTING CONFIGURATION

Makes handling large cable reels quick and easy, on-site or in warehouses.

The Slingco Reel Lifter is a high capacity, compact unit that allows users in the utility construction industry to safely load, transport, and dispense wire and/or cable on-site. It is also used in many industrial applications to make moving and relocating reels in a warehouse easy. Now a task that normally used a team of three or four people can be done with just one, allowing the crew to operate more efficiently!

Slingco Part No.	Arbor Hole min.		Arbor Hole max.		Capacity		Weight		Length	
	in	mm	in	mm	lb	kg	lb	kg	in	mm
REEL LIFTER										
ZLD08729	2	50.8	4	101.6	3,000	1,360	6.50	2.95	16.125	409.6
ZLD09186	3	76.2	6	152.4	5,000	2,268	14.50	6.58	21.125	536.6
ZLD10807	3.25	82.55	6	152.4	12,000	5,443	32.33	14.66	30.53	775.5
REEL LIFTER REPAIR KITS										
Repair kits come with extension springs, cable assemblies, and all necessary replacement cotter pins to replace the interior cable system.										
ZLD09708	3,000 lb (1,360 kg) Repair Kit for ZLD08729									
ZLD09707	5,000 lb (2,268 kg) Repair Kit for ZLD09186									
ZLD11126	12,000 lb (5,443 kg) Repair Kit for ZLD10807									

- ✓ Rugged construction to lift and upend reels
- ✓ Easy rotation to unroll cable
- ✓ Counterweighted bottom arm for easy insertion in reel
- ✓ Side flipping eye allows reels to be flipped into a non-rolling position
- ✓ Repair kits available
- ✓ Complies with ASME B30.20.1



Slingco Limited

Gateway Business Park, New Hall Hey Road, Rawtenstall, BB4 6JG, England
Tel: +44 [0]1706 855558 · contact@slingco.com

For any enquiries call or visit
+44 [0]1706 855558 | slingco.com